

Features

- Universal input 90~264V AC
- Direct EORU Fixed Plugtop Adapters
- Approved to UKCA, CE, RoHS
- EN 60950-1 Safety Approved
- FCC Class B Certified
- Single Output 5V DC
- OCP, SCP



Image for Illustration Purpose
Models may vary

Ideal Power's 15MX6W-xy-VU 5W AC/DC External Adapter EURO Plugtop Power Supply (PSU) Series are certified to UKCA, CE, RoHS & EN 60950-1 Standards and comply with Efficiency Regulations. These are primarily used in ITE, Audio & Video Industries and customised solutions are available upon request.

Models

Model Number	Output Voltage (V dc)	Output Current (A)	Output Power (W)	Efficiency (%)
15MX6W-0501000VU	5	1	5	73.73

Input Data

	Min	Typical	Max	Units	Notes
Input Voltage	90	--	264	V AC	100-240VAC +/- 10%
Input Frequency	47	--	63	Hz	50-60Hz +/- 5%
Input Current	--	0.2	--	A	
Inrush Current	0	--	30	A	At cold start, 100 / 240V AC
Leakage Current	--	--	0.25	mA	At 240Vac input.
Standby Consumption			0.1	W	Input 115Vac or 230Vac - no load

Output Data

	Min	Typical	Max	Units	Notes
Output Voltage	--	5	--	%	
Voltage Range	4.75	--	5.4	V	
Ripple & Noise	--	--	120	mVpp	
Hold-up time	5	--	--	S	115V ac input & output
Turn-on Delay Time			3	S	100V ac input & output

Protection

Over Current Protection	The power supply will be auto recovered when short circuit faults remove.
Short Circuit Protection	The power supply will be auto recovered when short circuit faults remove.

Environmental Data

	Min	Typical	Max	Units	Notes
Operating Temperature	0	--	+40	°C	
Storage Temperature	-20	--	+60	°C	
Relative Humidity	5	--	90	%	72Hrs, Full load, Normal operating.
Vibration					Operating: IEC 721-3-3 - 3M3 5~9Hz, A=1.5mm
Transportation					IEC 721-3-2 2M2 - 5-9Hz, A=3.5mm

Other Information

	Min	Typical	Max	Units	Notes
MTBF	--	50,000	--	hrs	
Dielectric Strength					3000Vac/5mA/60S or 4242Vdc/5mA/60S for type test.
Dimensions					54x39x24.7mm
Output connector					USB

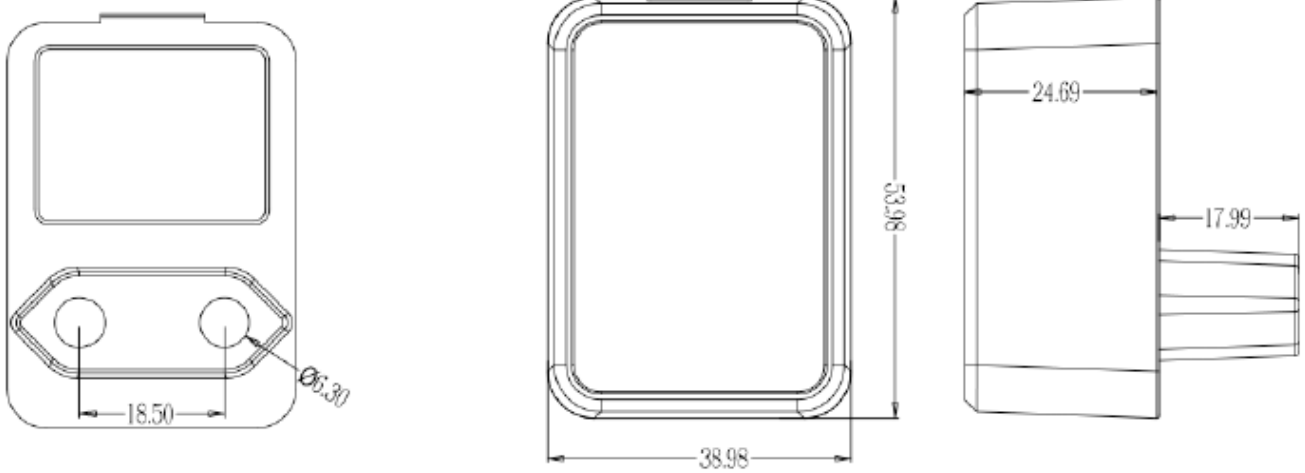
Standards

	Test Level			
EMC	EN 55032 / EN 55024			
	EN 55035			
ESD	IEC 61000-4-2	Air discharge +/-8KV, Contact discharge +/-4KV		Pass B
	IEC 61000-4-3	80-1000MHz; 80%AM(1KHz)		Pass A
EFT	IEC 61000-4-4	AC-Input /1KV		Pass B
Surge Voltage	IEC 61000-4-5	+/-1KV		Pass B
Injected currents susceptibility	IEC 61000-4-6	3V/m		Pass A

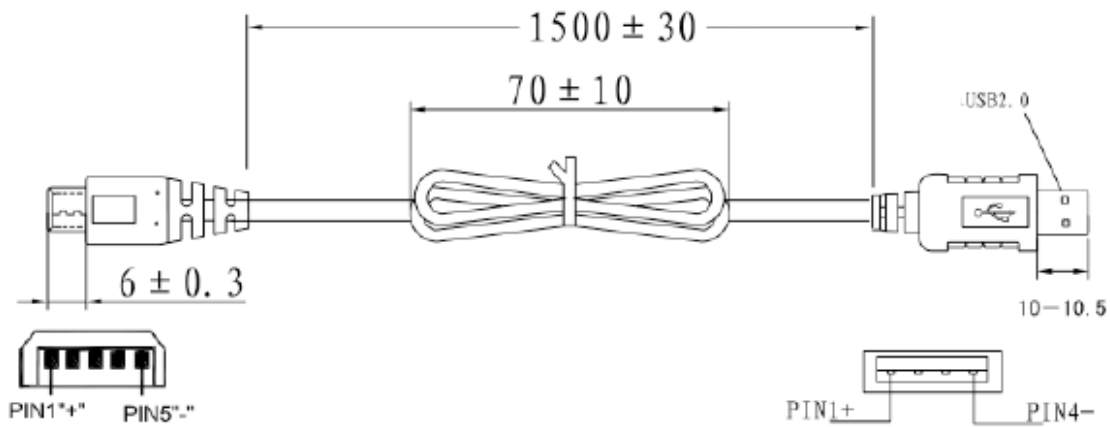
Safety Approvals

	Safety Standards
Certifications	UKCA, CE, RoHS
Approvals	EN 60950-1

Mechanical Drawing & Label



Cable Drawing



Label Drawing

